

# TRACKWAY<sup>®</sup> ACCESS



# A TRUSTED HERITAGE

FAUN Trackway USA, Inc. has a prestigious reputation, with over 75 years' experience in the design and manufacture of premium products and tailored solutions.

Originally Saunders-Roe based on the Isle of Wight, we relocated to Anglesey during the 1940s, and later in 1968, we became Laird (Anglesey) Ltd. In 1996, we were acquired by the KIRCHHOFF Group; a family-run, German group of engineering and manufacturing companies that have been providing innovative solutions for over 220 years.

Our highly skilled and experienced team continue to design and manufacture ground stabilization Trackway® products; and, as the global leader, our solutions are now in use worldwide.



[www.faustrackway.co.uk](http://www.faustrackway.co.uk)





66

Making  
sustainable  
tracks with  
100% recyclable  
Trackway®



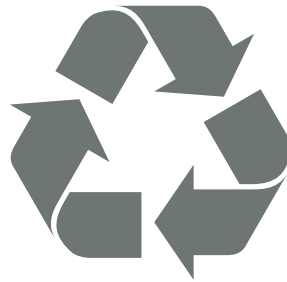


# TOGETHER WE CAN JOURNEY ANYWHERE

We offer a versatile roadway, marine access, and aircraft recovery product range for an array of industries including; Oil & Gas, Construction, Forestry, and Mining; where plant and vehicle access is required within infrastructure projects and other operations. Our durable Trackway® panels are renowned for their quality, and can tackle challenging terrains such as; marsh, mud, sand, verges and river fordings.



**RAPIDLY DEPLOYED**



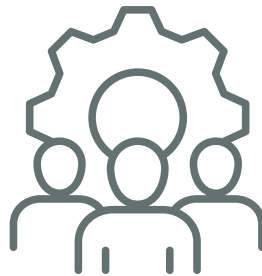
**PROTECTS ENVIRONMENT**



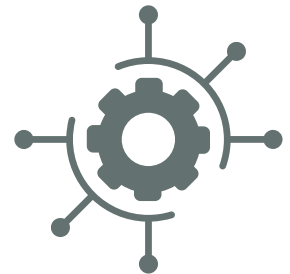
**LIGHTWEIGHT**



**DURABLE**



**MINIMAL MANPOWER**

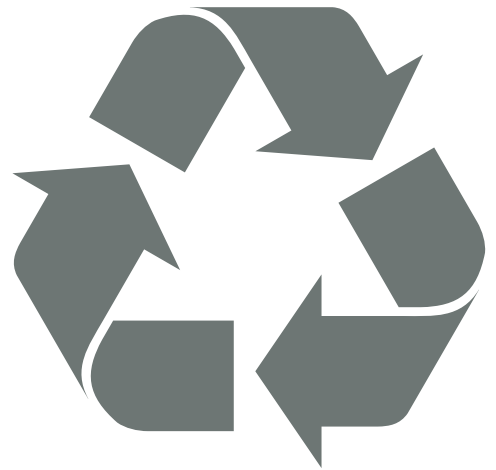


**MULTI-PURPOSE**

# SUSTAINABLE TRACKS

Engineered with sustainability and performance in mind, our Trackway® panels are designed to minimize environmental impact while delivering long term reliability. Manufactured using advanced techniques and high-grade aluminum, each panel offers exceptional durability and a long operational lifespan. In contrast to plastic alternatives, which often degrade quickly and require frequent replacement, our aluminium Trackway® panels provide a more resilient and cost-effective solution.

Their robust construction helps to prevent ground damage by significantly reducing rutting, even under the weight of heavy vehicles and machinery. Once the panels are removed, the ground is left virtually untouched, preserving the natural landscape and eliminating the need for costly restoration work. Furthermore, our panels are 100% recyclable, aligning with our commitment to environmentally responsible practices across all sectors of operation.





# ROADWAY KIT

The Roadway Kit provides a temporary, aluminum access route for the improved mobility of vehicles, cranes and other wheeled transportation. Comprising of your Trackway® solution of choice, a deployment system to match your budget, and accessories as standard, traversing difficult environments has never been easier.



**C90 Trackway®**



**C40 Trackway®**



**C20 Trackway®**



**C50 Trackway®**



# DEPLOYMENT OPTIONS

Our Plant Attachment systems are mounted via a bespoke adapter plate and quick release hydraulic couplings to a compatible Material Handling Equipment host machine.

## 90PA

The 90PA allows for 98ft of C90 Trackway® to be deployed in under 5 minutes by 2 individuals.

## 40PA

Our 40PA will deploy, recover, transport and store up to 131ft of your C40 Trackway® solution.

## 20PA

Facilitating rapid deployment and recovery, the 20PA system allows for up to 131ft of C20 Trackway® solution.



**PLAY VIDEO**







GROSS WEIGHT  
3,650Kg  
INCLUDES DISPENSER WITH  
ARM OF CLEAN TRACKWAY.

 **FAUN**  
TRACKWAY USA



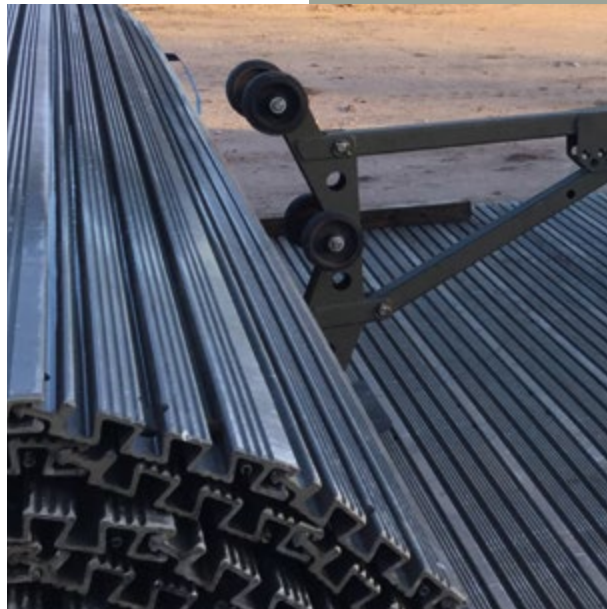
# PUSHFRAME

By connecting to its host machine with a quick hitch or suitable hitch, the Pushframe is designed to roll out and recover up to 164ft of C40 or C90 Trackway®.



# PUSHBAR

A galvanised steel device that deploys and recovers up to 131ft of C40 Trackway® or 98ft of C90 Trackway®.



# BOAT RAMP KIT

Used as a temporary or more permanent solution, the Boat Ramp Kit can be laid where a conventional boat ramp structure is not suitable; such as tidal areas, freezing waters and marsh.

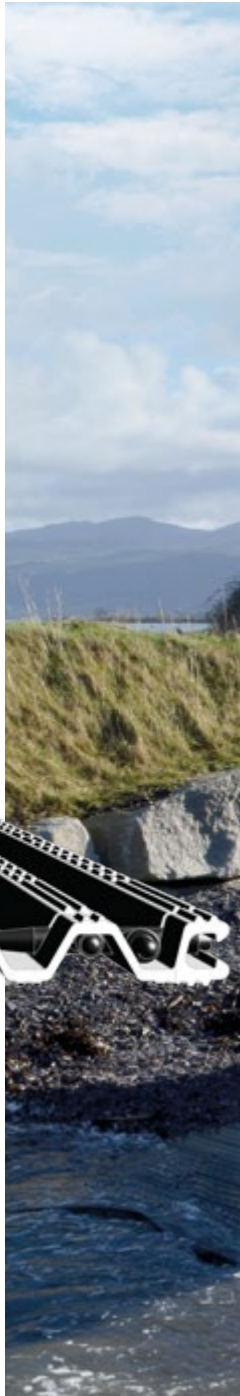
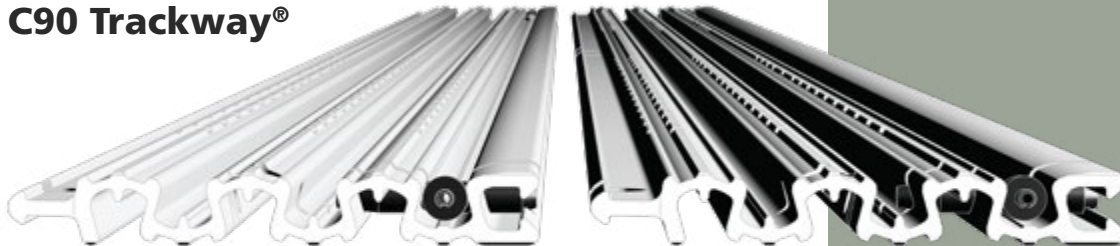
Getting your ship to shore is quick and effective, with a choice of Trackway® solutions and accompanying deployment systems dependent on your budget and host vehicle.



**C40 Trackway®**



**C90 Trackway®**

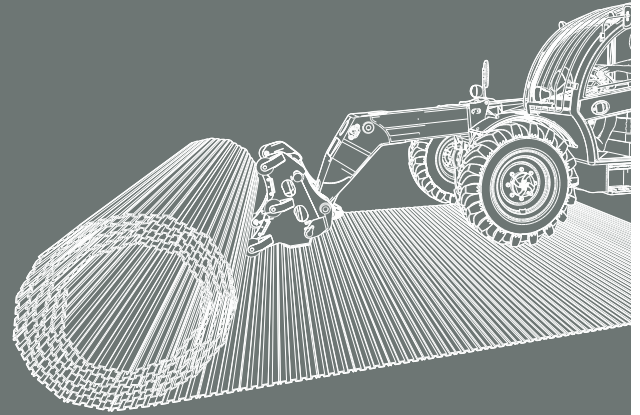




# DEPLOYMENT OPTIONS

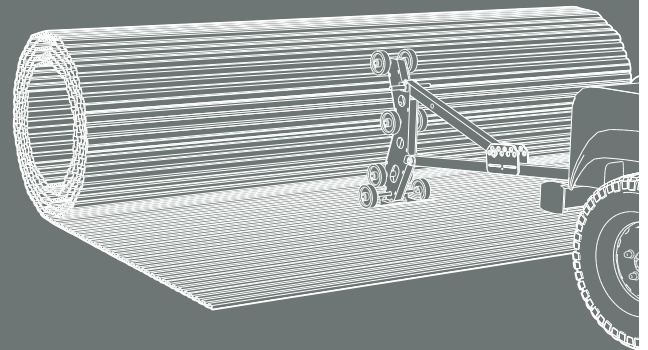
## PUSHFRAME

Designed to roll out and recover up to 164ft of C40 or C90 Trackway® rapidly, by use of a compatible host machine with a quick hitch or suitable hitch.



## PUSHBAR

With a strong tolerance to sea waters, the Pushbar can deploy up to 131ft of C40 Trackway® or 98ft of C90 Trackway® by use of vehicle with a towing capacity of 7,716lb.





## **PARBUCKLING STRAP**

The Parbuckling Strap assists in the manual recovery of the Boat Ramp Kit. During deployment the strap is positioned centrally under the Trackway® as it is laid out. On recovery, the end of the Parbuckling Strap is attached to a vehicle's centre tow point.



# AIRCRAFT RECOVERY KIT

The Aircraft Recovery Kit facilitates with the recovery of all types of aircraft within an array of operations, terrain and climates. Comprising of a modular, aluminum, panel by panel system, the ground stabilization solution enables:



- ✓ Quick access roadways for vehicles to reach aircraft that are damaged or have overshot a runway.
- ✓ Safe walkways for individuals to reach aircraft that are damaged or have overshot a runway.
- ✓ Area matting to quickly and safely tow aircraft back to a runway.

## C50 Trackway®



# DEPLOYMENT OPTIONS

Manually laid and recovered, the C50 Trackway® panels are connected to one another longitudinally with an overlapped joint and fastened together with a flush bolt. Providing a continuous, trip-free surface, the panels which are laid in a straight configuration are connected horizontally with a connecting bar.

## AREA MATS

Full panels in a straight configuration or full and half panels in a brickwork configuration.

## ROADWAYS

Full panels in a straight configuration.

## WALKWAYS

Half panels in a straight configuration.





# TESTIMONIALS

"Build it and they will come. 'The beach starts here' is our motto for a reason, and this innovative solution is certainly testament to that!"

**Kingston District Council, SE Australia**

"Very pleased with both the product and the service and wouldn't hesitate to recommend FAUN Trackway®."

**Williams Jet Tenders, Berinsfield, England**

FAUN Trackway® has an excellent product that has proven itself time and again. They went above and beyond to ensure our Boat Ramp Kit got delivered on the opposite side of the world."

**Norton Sound Economic Corporation, Alaska, USA**





**FAUN Trackway USA, Inc.**

Member of the KIRCHHOFF Group

Office #630, 2611 South Clark Street,  
Arlington, VA, 22202-4046, USA

Tel: +1 (620) 912 8752

[info@fauntrackway.com](mailto:info@fauntrackway.com)  
[www.f auntrackway.com](http://www.f auntrackway.com)

Images for Illustration Purposes Only

DUNS # 968299268  
CAGE # 6HLG9

All content © FAUN Trackway USA, Inc. 2025. All Rights Reserved.